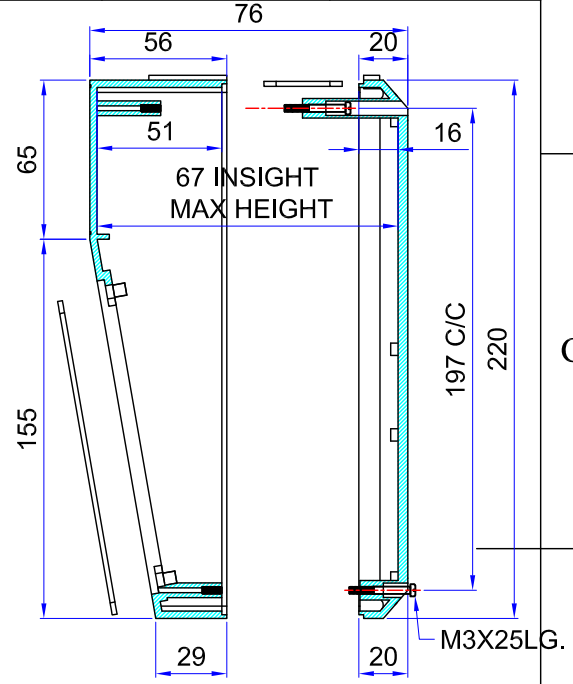
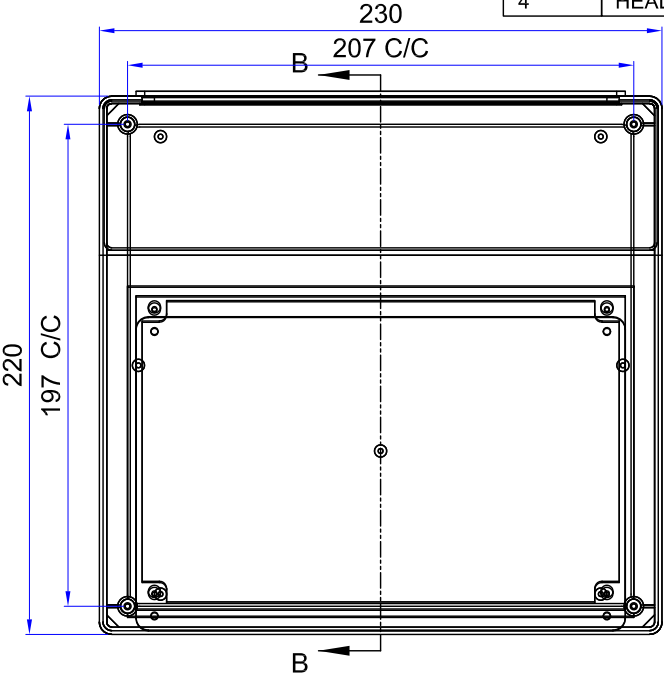
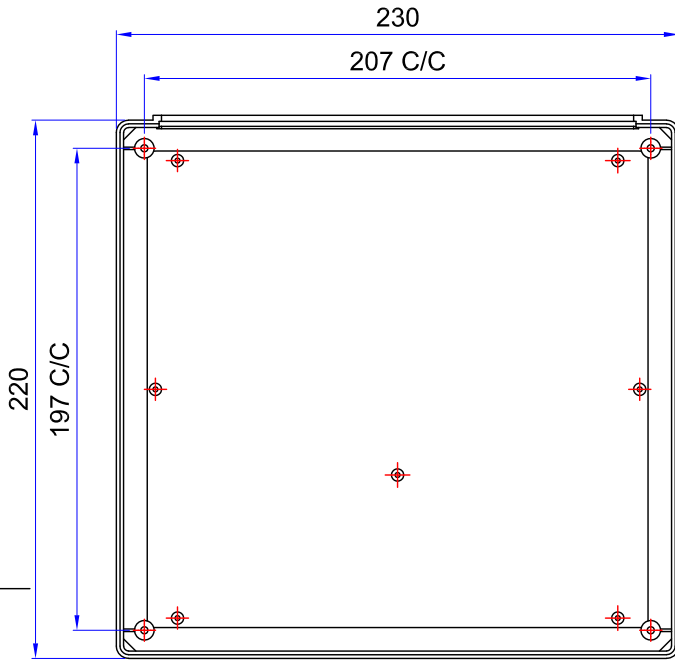


8 7 6 5 4 3 2 1

BILL OF MATERIAL				
SR.NO.	DESCRIPTION	MOC.	QTY.	SIZE
1	BASE	ABS	1	190 X 105 X 18
2	LID	ABS	1	190 X 105 X 39
3	GASKET	NEOPRENE	1	Ø3
4	HEAD SCREW	SS 304	4	M3 X 25LG.

D

D

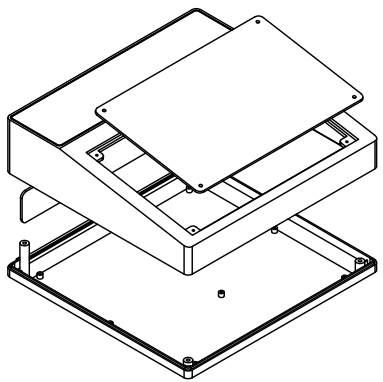
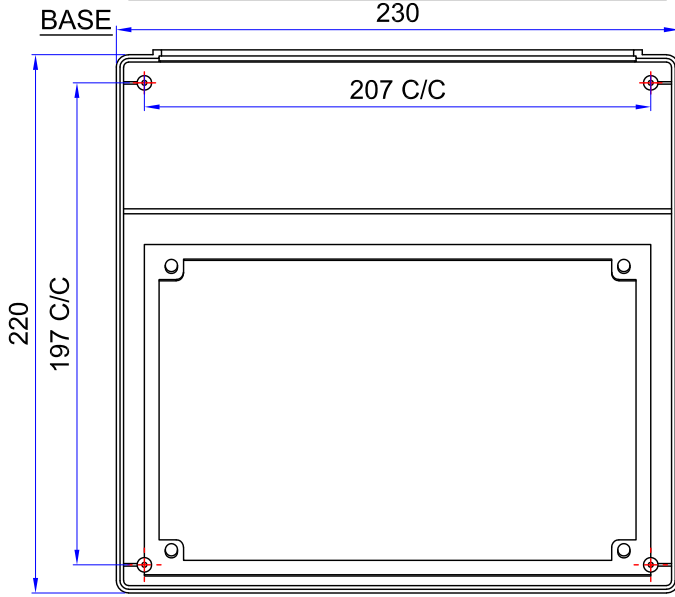


C

C

B

B



3D VIEW

NOTE :
1. ALL DIMENSION ARE IN MM SECTION A-A

DRN.	PKW		S.K. INSTRUMENT CABINET.			
CKD.	-		GROUP NO. 8/B, BLOCK NO.197/2979, JAYSHREE SAHYOG C.H.S. LTD. NEAR OLD POST OFFICE, BEHIND YASHAWANT HOSPITAL, TAGOR NAGAR VIKHROLI (E), MUMBAI 400083			
APD.	ST		PART NAME: IP 65/ 66 ABS SK OG 1502 JUNCTION BOX			
SCALE	1:1		MODEL SK OG 1502 MOC. ABS			
DIVISION -		MODEL.NO. 51		QTY. 01	WT. 0.95	
ALL DIMENSIONS ARE IN 'mm' UNLESS OTHERWISE SPECIFIED		DATE 05/07/2025		SHEET 01	OF 01	
		DRN.NO. -				

A

A

8 7 6 5 4 3 2 1