

8

7

6

5

4

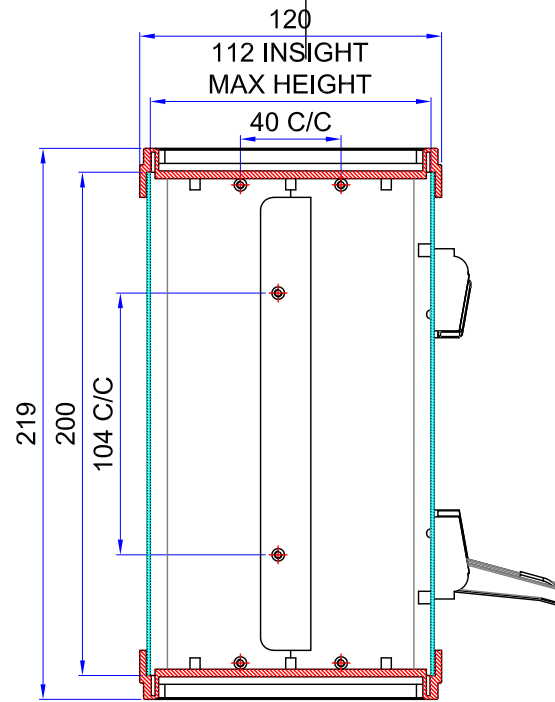
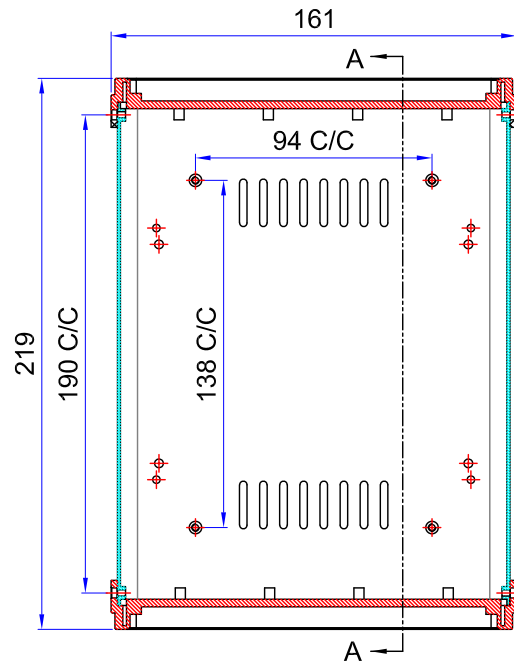
3

2

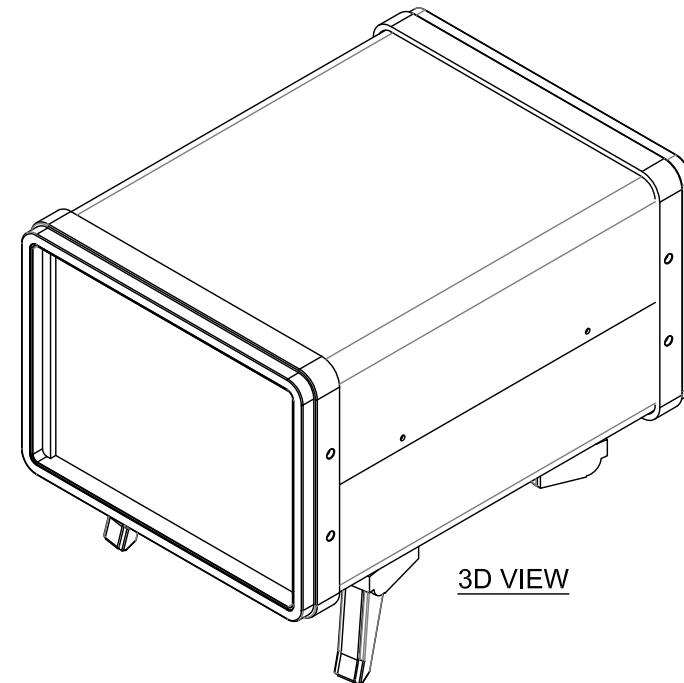
1

BILL OF MATERIAL

SR.NO.	DESCRIPTION	MOC.	QTY.	SIZE
1	BASE	MS.	1	219 X 161 X 60
2	TOP	MS.	1	219 X 161 X 60
3	FRONT & BACK	ALUMINIUM / PLASTIC	2	161 X 120 X 20
4	HEAD SCREW	SS 304	8	M3 X 10LG.

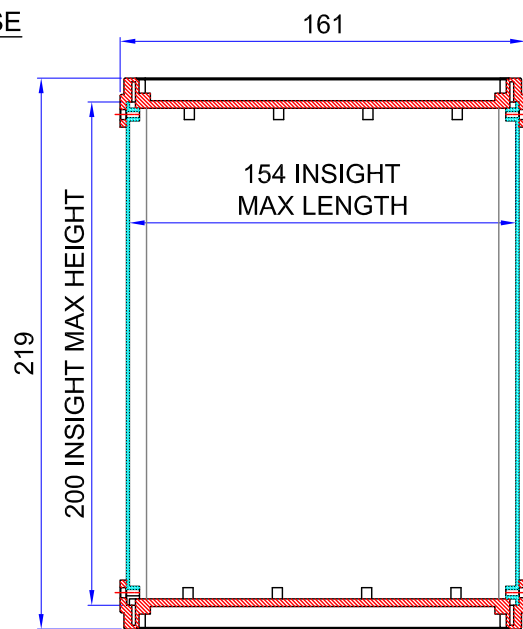


SECTION A-A



3D VIEW

BASE



LID

NOTE :

- ALL DIMENSION ARE IN MM

DRN.	PKW		S.K. INSTRUMENT CABINET.			
CKD.	-		<small>GROUP NO. 8/B, BLOCK NO.197/2979, JAYSHREE SAHYOG C.H.S. LTD. NEAR OLD POST OFFICE, BEHIND YASHAWANT HOSPITAL, TAGOR NAGAR VIKHROLI (E), MUMBAI 400083</small>			
APD.	ST		PART NAME:			
SCALE	1:1		IP 65/ 66 ABS SKT-162212 JUNCTION BOX			
DIVISION	-	ALL DIMENSIONS ARE IN 'mm' UNLESS OTHERWISE SPECIFIED				
		MODEL	SKT-162212	MOC.	MS.	
		MODEL.NO.	93	QTY.	01 WT. 1.3	
		DATE	01/09/2025	SHEET	01 OF 01	
		DRN.NO.	-			



8

7

6

5

4

3

2

1