

8

7

6

5

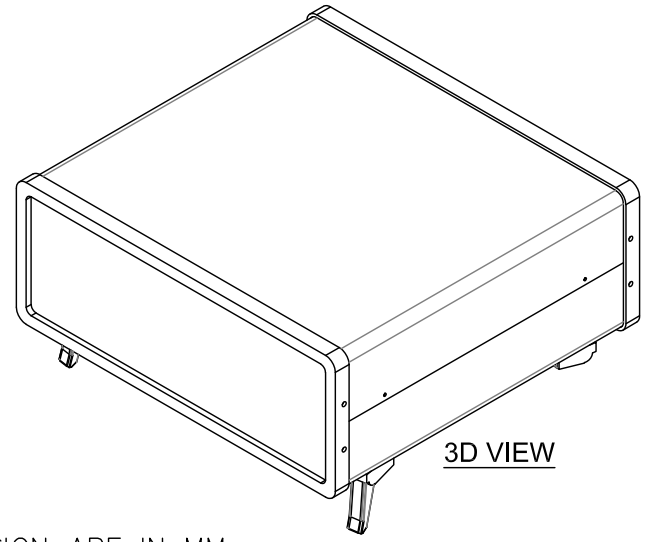
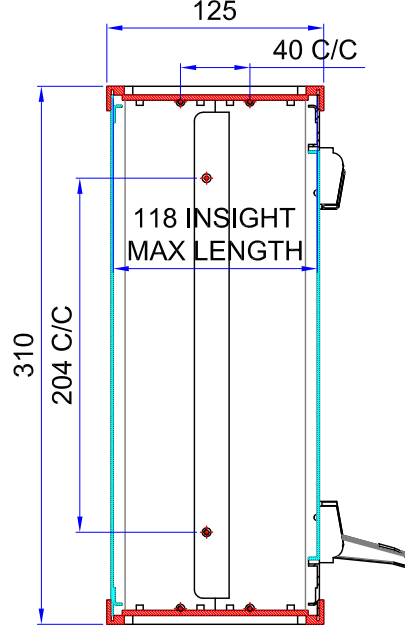
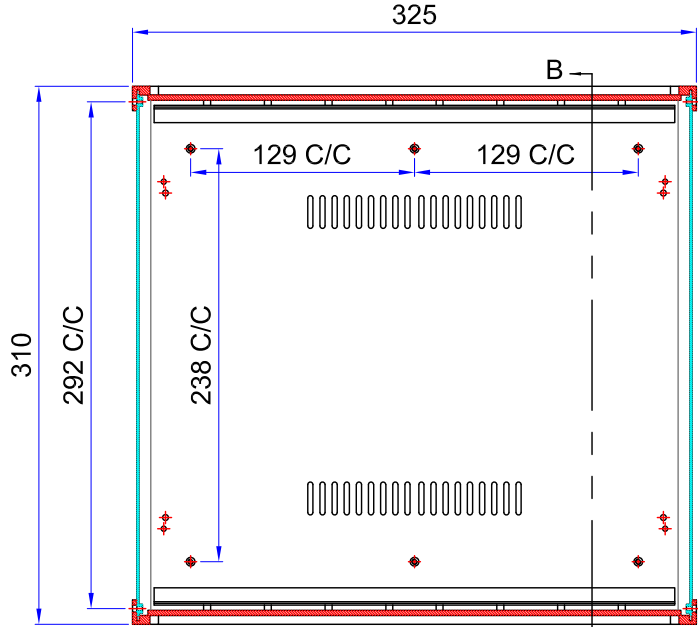
4

3

2

1

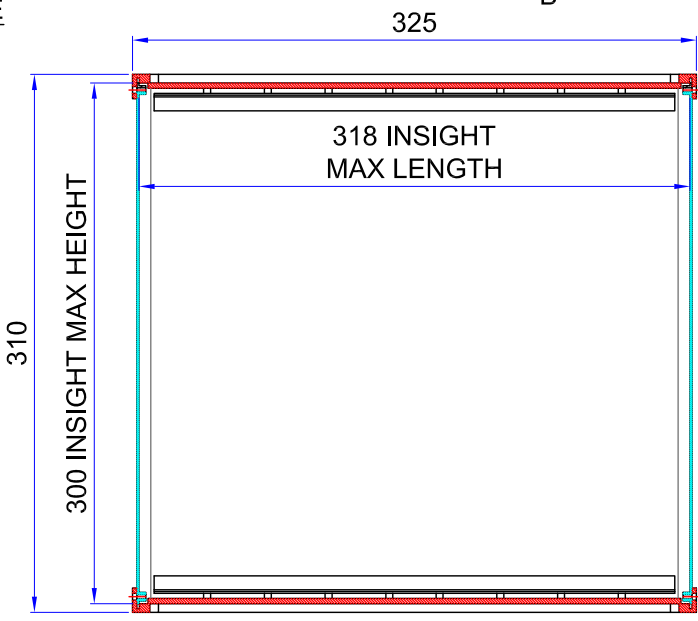
BILL OF MATERIAL				
SR.NO.	DESCRIPTION	MOC.	QTY.	SIZE
1	BASE	MS.	1	325 X 310 X 62.5
2	BASE	MS.	1	325 X 310 X 62.5
3	FRONT & BACK	ALUMINUM / PLASTIC	2	325 X 125 X 14
4	HEAD SCREW	SS 304	8	M3 X 10LG.



BASE

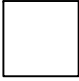
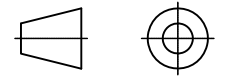
SECTION B-B

3D VIEW



LID

NOTE :
1. ALL DIMENSION ARE IN MM

DRN.	PKW	 S.K. INSTRUMENT CABINET. <small>GROUP NO. 8/B, BLOCK NO.197/2979, JAYSHREE SAHYOG C.H.S. LTD. NEAR OLD POST OFFICE, BEHIND YASHAWANT HOSPITAL, TAGOR NAGAR VIKHROLI (E), MUMBAI 400083</small>					
CKD.	-						
APD.	ST						
SCALE	1:1	PART NAME: IP 65/ 66 ABS SKT-323012 JUNCTION BOX					
DIVISION	-	ALL DIMENSIONS ARE IN 'mm' UNLESS OTHERWISE SPECIFIED					
		MODEL	SKT-323012	MOC.	MS.		
		MODEL.NO.	96	QTY.	01	WT.	3
		DATE	01/09/2025	SHEET	01	OF	01
		DRN.NO.	-				

8

7

6

5

4

3

2

1

D

D

C

C

B

B

A

A