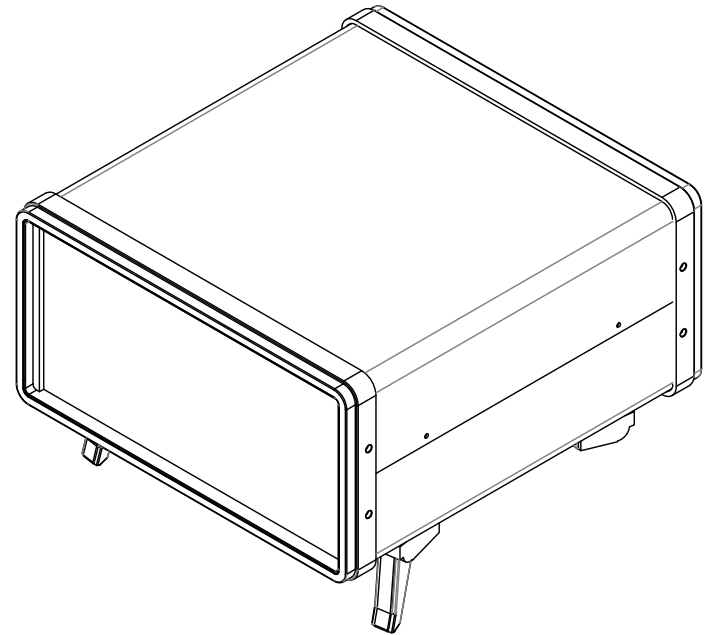
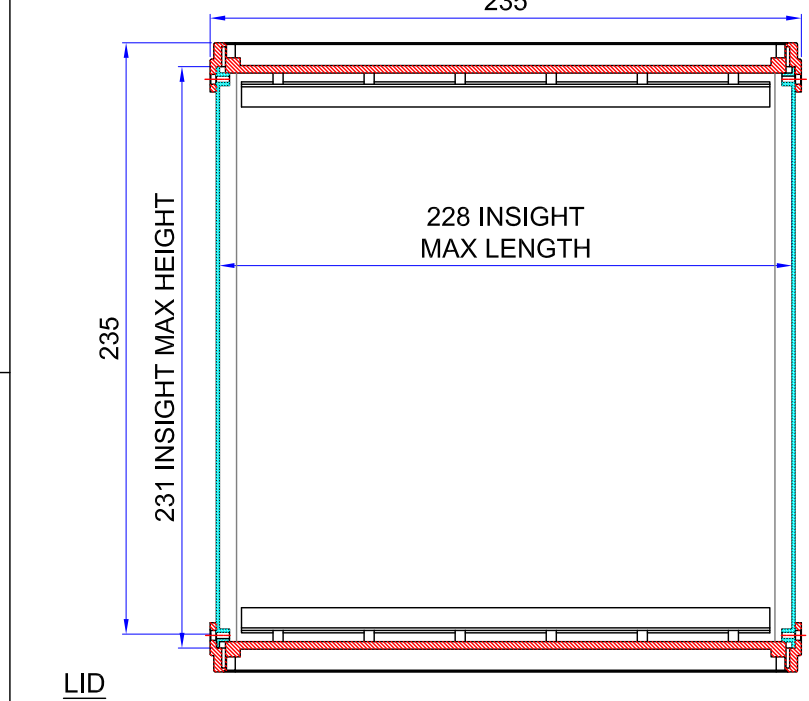


BILL OF MATERIAL				
SR.NO.	DESCRIPTION	MOC.	QTY.	SIZE
1	BASE	MS.	1	250 X 235 X 60
2	TOP	MS.	1	250 X 235 X 60
3	FRONT & BACK	ALUMINUM / PLASTIC	2	235 X 120 X 20
4	HEAD SCREW	SS 304	8	M3 X 10LG.


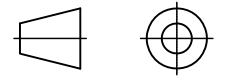


3D VIEW



SECTION A-A

NOTE :
1. ALL DIMENSION ARE IN MM

DRN.	PKW	 S.K. INSTRUMENT CABINET. <small>GROUP NO. 8/B, BLOCK NO.197/2979, SAHYOG C.H.S. LTD. NEAR OLD POST OFFICE, BEHIND YASHAWANT HOSPITAL, TAGOR NAGAR VIKHROLI (E), MUMBAI400083</small>					
CKD.	-						
APD.	ST						
SCALE	1:1						
DIVISION	-	PART NAME:					
ALL DIMENSIONS ARE IN 'mm' UNLESS OTHERWISE SPECIFIED		IP 65/ 66 ABS SKT-232512 JUNCTION BOX					
		MODEL	SKT-232512	MOC.	MS.		
		MODEL.NO.	95	QTY.	01	WT.	1.9
		DATE	01/09/2025	SHEET	01	OF	01
		DRN.NO.	-				

PART NAME:

MODEL	SKT-232512	MOC.	MS.		
MODEL.NO.	95	QTY.	01	WT.	1.9
DATE	01/09/2025	SHEET	01	OF	01
DRN.NO.	-				