

8

7

6

5

4

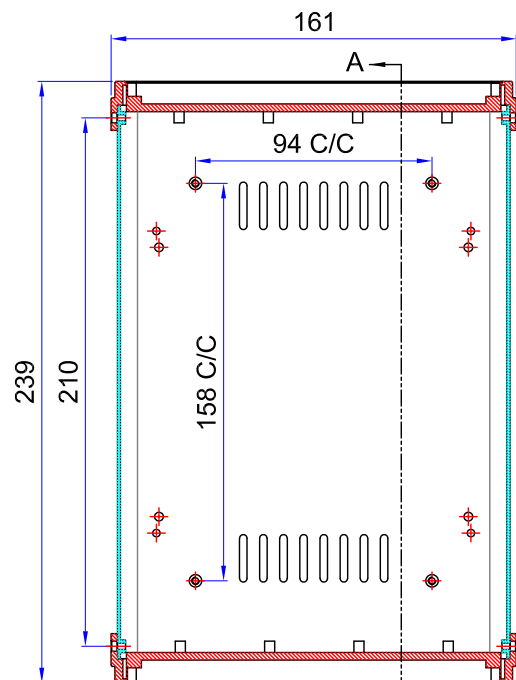
3

2

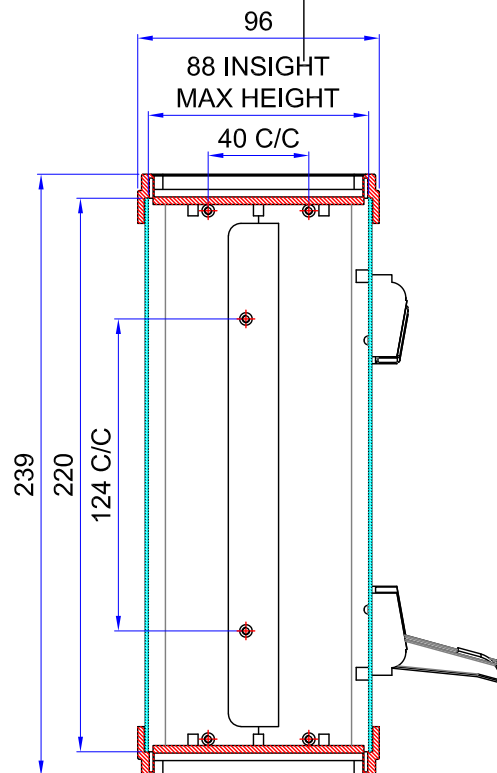
1

BILL OF MATERIAL

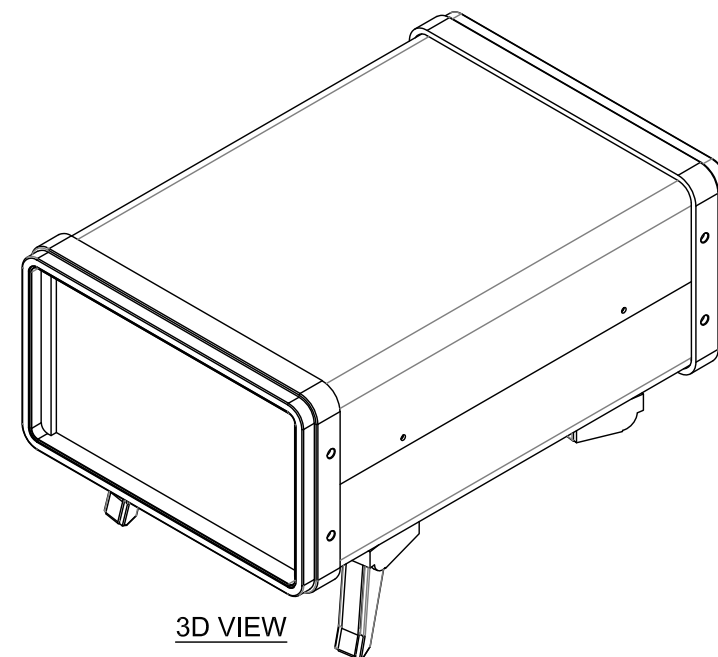
SR.NO.	DESCRIPTION	MOC.	QTY.	SIZE
1	BASE	MS.	1	239 X 161 X 48
2	TOP	MS.	1	239 X 161 X 48
3	FRONT & BACK	ALUMINUM / PLASTIC	2	161 X 96 X 20
4	HEAD SCREW	SS 304	8	M3 X 10LG.



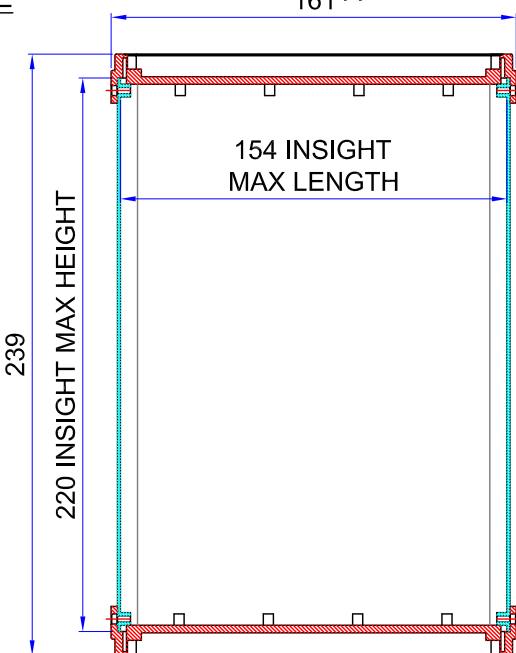
BASE



SECTION A-A



3D VIEW



LID

NOTE :

1. ALL DIMENSION ARE IN MM

DRN.	PKW		S.K. INSTRUMENT CABINET.			
CKD.	-		GROUP NO. 8/B, BLOCK NO.197/2979, JAYSHREE SAHYOG C.H.S. LTD. NEAR OLD POST OFFICE, BEHIND YASHAWANT HOSPITAL, TAGOR NAGAR VIKHROLI (E), MUMBAI 400083			
APD.	ST	PART NAME:				
SCALE	1:1	IP 65/ 66 ABS SKT-162295 JUNCTION BOX				
DIVISION	-	ALL DIMENSIONS ARE IN 'mm' UNLESS OTHERWISE SPECIFIED				
		MODEL	SKT-162295	MOC.	MS.	
		MODEL.NO.	92	QTY.	01 WT. 1.23	
		DATE	01/09/2025	SHEET	01 OF 01	
		DRN.NO.	-			



8

7

6

5

4

3

2

1