

8

7

6

5

4

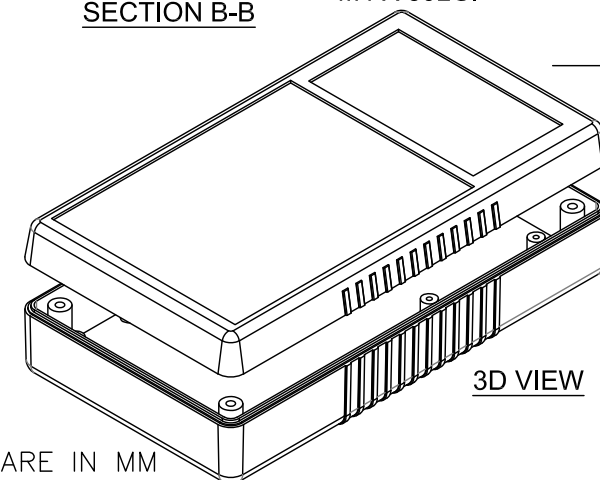
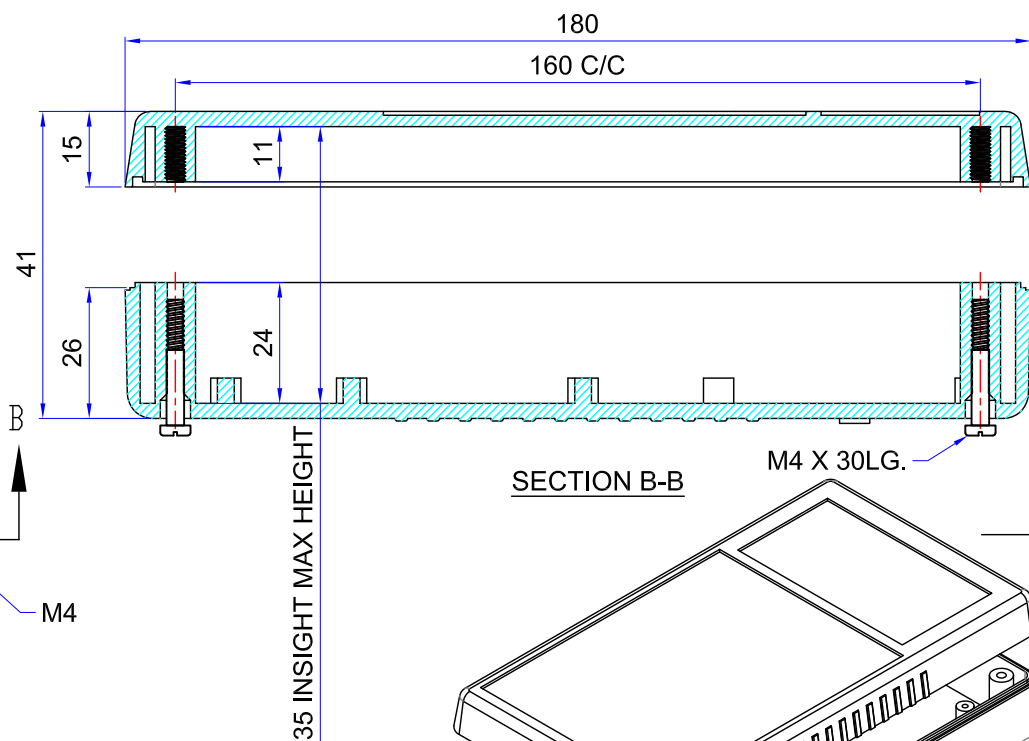
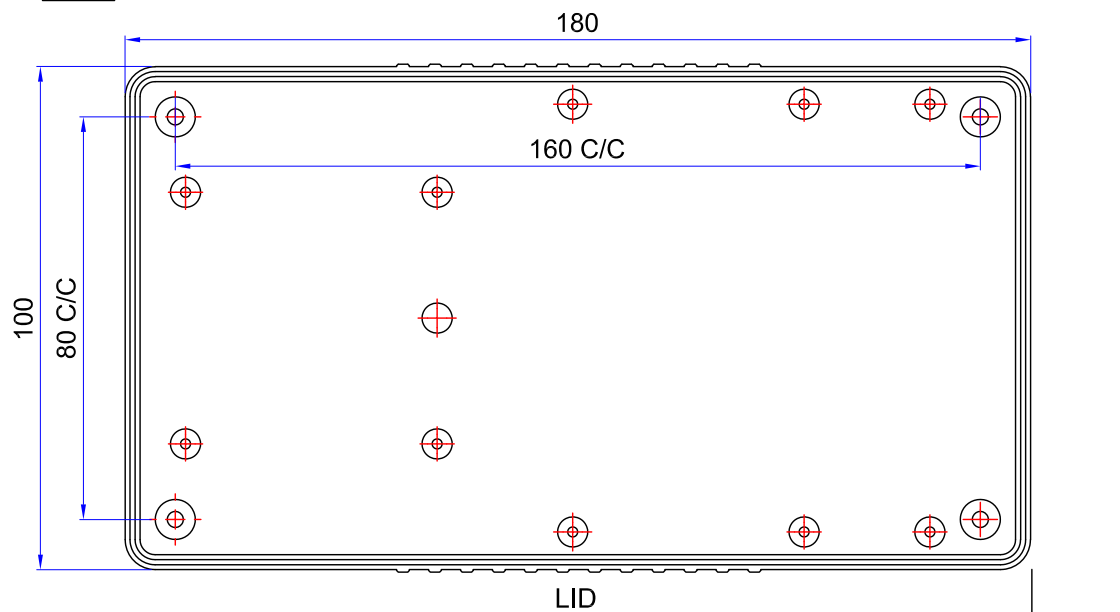
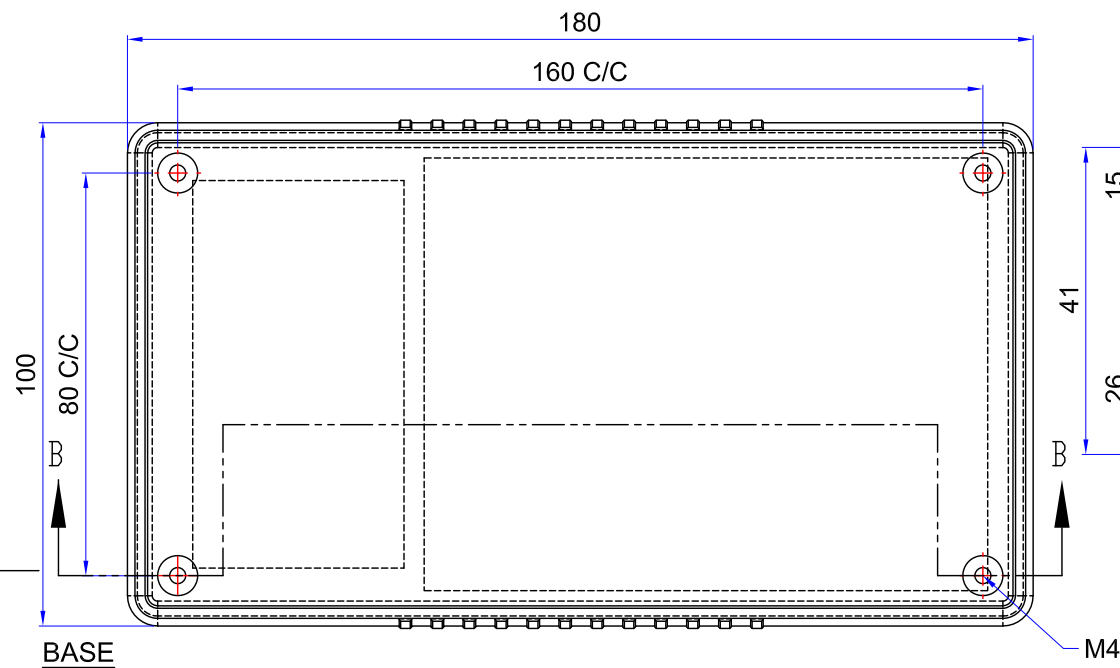
3

2

1


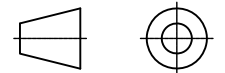
## BILL OF MATERIAL

SR.NO.	DESCRIPTION	MOC.	QTY.	SIZE
1	BASE	ABS	1	180 X 100 X 15
2	LID	ABS	1	180 X 100 X 26
3	GASKET	NEOPRENE	1	Ø3
4	HEAD SCREW	SS 304	4	M4 X 30LG.



NOTE :

1. ALL DIMENSION ARE IN MM

DRN.	PKW	 <b>S.K. INSTRUMENT CABINET.</b> <small>GROUP NO. 8/B, BLOCK NO.197/2979, ANAND SAHYOG C.H.S. LTD. NEAR OLD POST OFFICE, BEHIND YASHAWANT HOSPITAL, TAGOR NAGAR VIKHROLI (E), MUMBAI 400083</small>					
CKD.	-						
APD.	ST						
SCALE	1:1						
DIVISION	-	PART NAME:					
ALL DIMENSIONS ARE IN 'mm' UNLESS OTHERWISE SPECIFIED		IP 65/ 66 ABS 21-20 B-S JUNCTION BOX					
		MODEL	21-20 B-S	MOC.	ABS		
		MODEL.NO.	73	QTY.	01	WT.	0.2
		DATE	05/07/2025	SHEET	01	OF	01
		DRN.NO.	-				

8

7

6

5

4

3

2

1